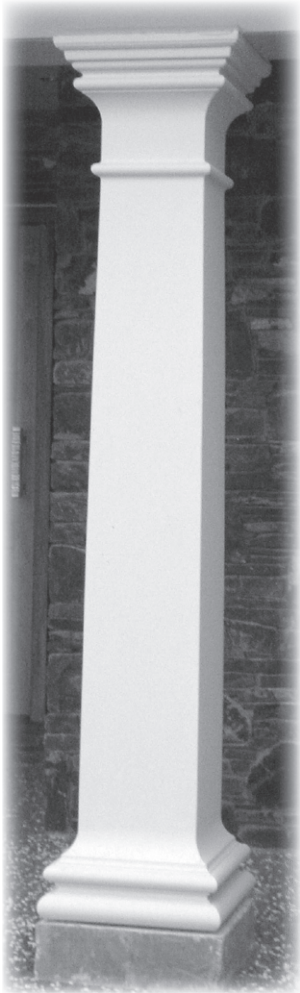
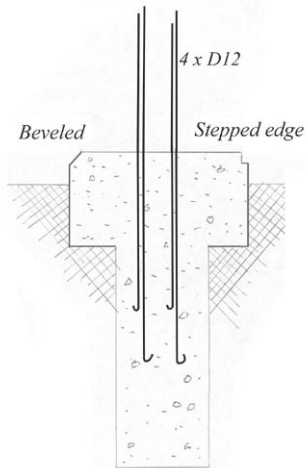
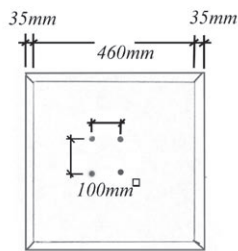


TUSCAN ORDER 300 SQUARE

SPECIFICATIONS

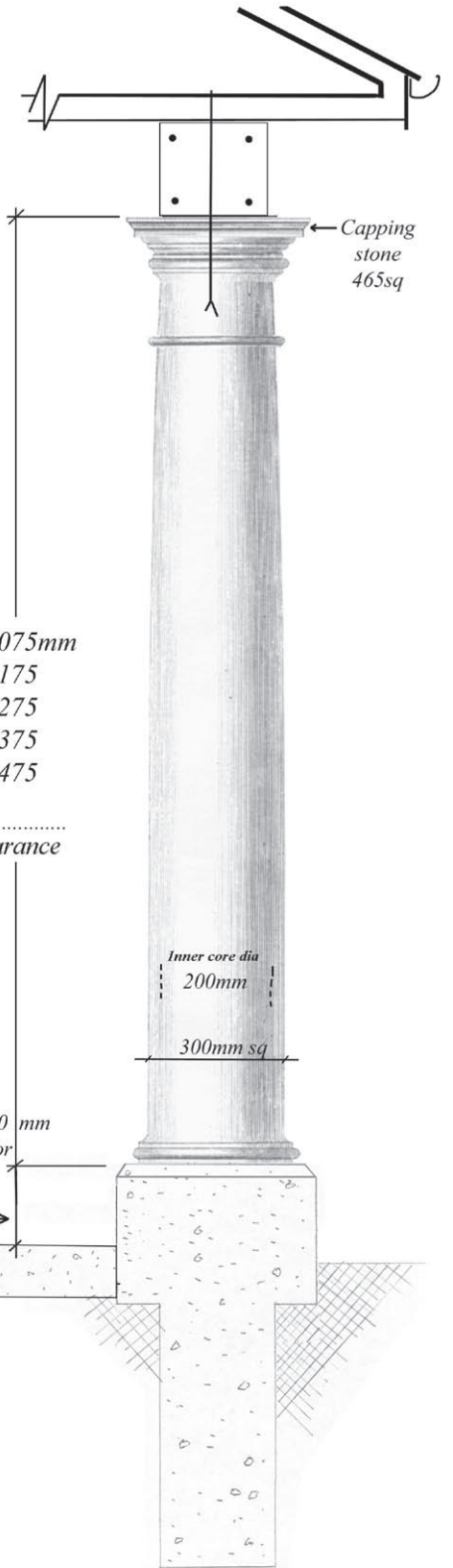


Drawings not to scale.
For structural columns
specifications should be
supplied by your engineer or
local authority.



Column Height
Add 5 mm for clearance

Plinth to be apx 150 / 400 mm
above finished concrete or
ground level to fit
standard column



**Beveled Plinth/
Foundation**

The Column Company

■ ■ ■ Structural & Decorative Concrete Solutions

“Fine Columns from the past for the future”